

DUAL CHANNEL BAR GRAPH INDICATOR

μCN 2051 BG

NIVAM

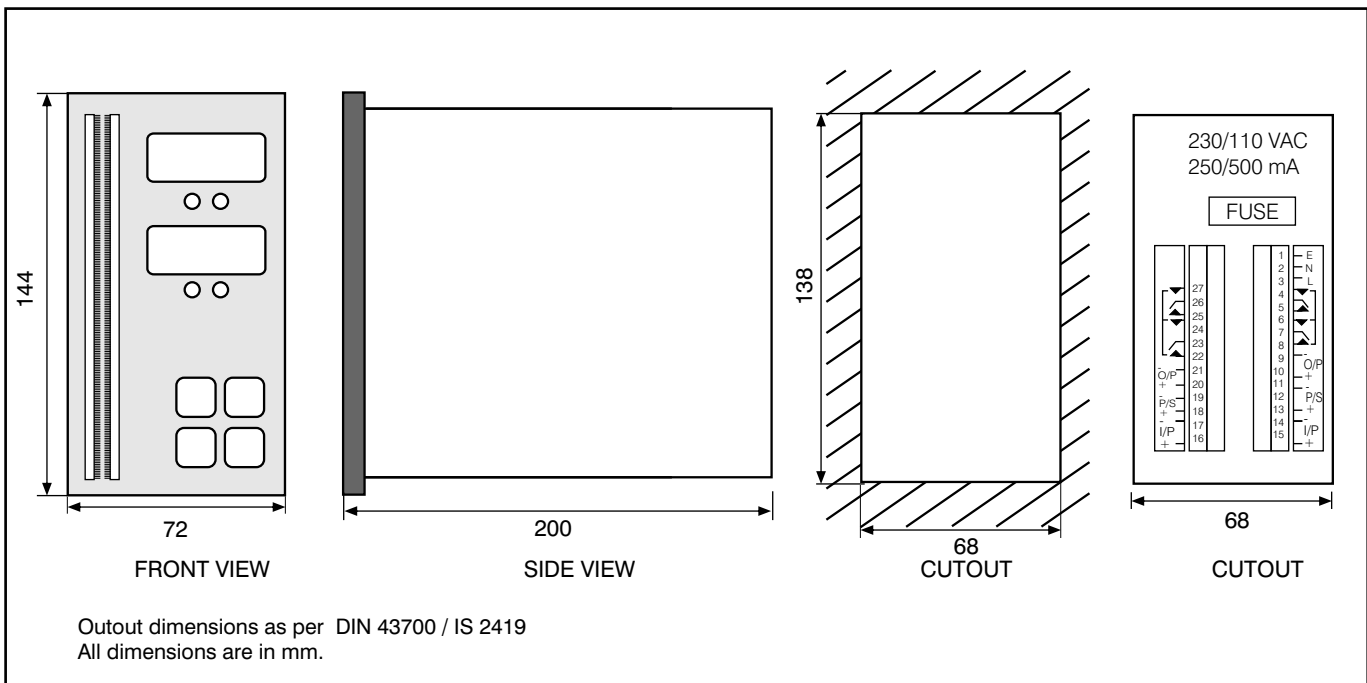


SALIENT FEATURE

- Two electrical inputs. (0 / 4 - 20 mA)
- Two bar graph indicators 51 segments each
- Two 4 digit, 7 segment displays for process variable indication
- Two isolated 4 - 20 mA retransmission output
- Two alarms per channel
- Two regulated 24 V @ 30 mA DC supply for powering 2, two wire transmitters
- Resolution better than 15 ½ bits
- Easy calibration through front keypad under control of software calibration mode
- In built electronics circuit to monitor microcontroller operation
- User friendly programming modes

TECHNICAL SPECIFICATIONS

Input	: Electrical 2 No. (0/4 - 20 mA)
Display	: 4 digit 7 segment 0.3" LED for process variable
Bar graph	: 51 segments
Output	: 2 Nos 4 - 20 mA DC (Isolated)Optional
Transmitter power supply	: 2 Nos. 24 V DC @ 30 mA for powering 2, two wire transmitter
Range	: Programmable (Please specify)
Accuracy	: Better than $\pm 0.25\%$ of FSD.
Keyboard	: 4 Nos. of keys
Alarms	: 2 Nos. for each channel
Relay rating	: 5 A @ 230 V AC resistive load
Power supply	: 230 V AC / 110 V AC $\pm 10\%$ 50Hz, Single Phase
Operating temp.	: 0 - 50 ° C
Humidity	: 90 % Max. Non-condensing
Mounting	: Panel
Cutout	: 138 X 68 (H X W) in mm
Dimensions	: Bezel size: 144 x 72 X 200 (H X W X D) in mm
Weight	: 3 Kg (Approx.)



Ordering information

Order Code:	(XX....X)	X	X	(XX....X)
Model	μ CN 2051 BG
No. of Channels	One Two	1 2
Supply	110 V AC, \pm 10%, 50Hz, Single phase 230 V AC, \pm 10%, 50Hz, Single phase	1 2
Range	Specify range and engg. unit for calibration.....			
Sample order code	μ CN2051BG	1	1	0 to 100%

Specifications mentioned in this datasheet are subject to change without prior notice due to continuous up-gradation of products.

NIVAM INSTRUMENTS PVT. LTD.

Adm. Off. : 3, BHAGIRATH, 3632, SANTNAGAR, ARANYESHWAR, PUNE 411 009 (INDIA)
 Factory : 22, Electronic Sadan2, M.I.D.C. Bhosari, Pune 411026
 Tel. : +91-020- 24225939, Factory: +91-020-2712 0803, 2712 1279
 Fax : +91-020- 24225939, Factory: +91-020-2712 2511
 E-mail : sales@nivam.com, nivam@pn2.vsnl.net.in
 Website : www.nivam.com



Doc. Id.: Ver 1/ DS-IND 005