

PROCESS INDICATORS

NVM 2200-01 / 02 / 03.

NIVAM™

Salient Features

- Specially Developed for Pharma / Clean Room Application.
- Single / Dual / Triple 3½ 0.5" Display.
- 24 VAC/ DC Operation with built Transmitter power supply.
- 0 - 10 V DC or 4 - 20 mA DC. Input.
- Power Supply for Transmitter (24 V DC @ 30 mA Isolated) For Each Display.
- SS 304 Enclosure (Concealed / Surface)
- Isolation between Mains Supply, Tx. Ps, & Input Signal.

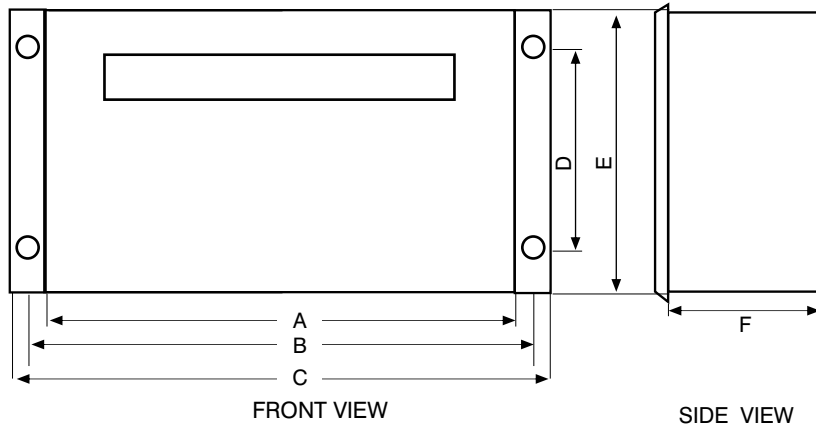
The Series NVM 2200 are developed specially for Pharma Application. Housed in SS 304 housing and operated on 24 VAC/DC Supply. Main Supply, Tx. P.S. & Signal are isolated from each other. The instrument accepts Input 0-10 V DC or 4-20 mA DC.

24 V DC @ 30 mA will be provided for powering Two wire Transmitters.



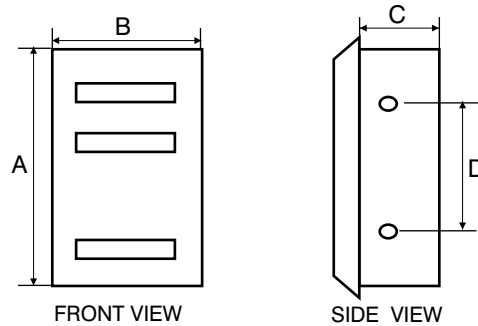
TECHNICAL SPECIFICATIONS:

Model No.	NVM 2200-01	NVM 2200-02	NVM 2200-03
Display	Single 3½ Digit, 0.5" RED LED	Dual 3½ Digit, 0.5" RED LED	Triple 3½ Digit, 0.5" RED LED
Mains Supply	24 V AC / DC @ 80 mA	24 V AC / DC @ 160 mA	24 V AC / DC @ 240 mA
Input	4 - 20 mA / 0 - 10 V DC	4 - 20 mA / 0 - 10 V DC (Dual)	4 - 20 mA / 0 - 10 V DC (Triple)
Tx. P. S.	24 V DC @ 30 mA	24 V DC @ 30 mA (Dual)	24 V DC @ 30 mA (Triple)
Input Impedance	> 180 K Ohms for Voltage I/P 12 Ohms for Current I/P		
Accuracy	Better than ± 0.25% of FSD, ± 1 digit		
Linearity	± 0.1% of FSD		
Isolation	100 MOhms @500 V DC		
Terminals	2.5 mm2		
Operating. Temp.	5-50°C		
Storage Temp.	0-70°C		
Humidity	90% max non condensing		
Enclosure	Fabricated in SS 304 with SS facia plate.		
Mounting	Wall, (Surface / Inside the wall), Panel - Optional		



All dimensions are in mm.

Dimensions of Horizontal Indicator							
Model No.	A	B	C	D	E	F	1" Conduit entry
NVM-2200-01-H-I	130	145	160	70	100	70	2 Nos.
NVM-2200-02-H-I	130	145	160	70	100	70	2 Nos.
NVM-2200-03-H-I	200	215	230	70	100	70	3 Nos.



All dimensions are in mm.

Dimensions of Vertical Indicator					
Model No.	A	B	C	D	1" Conduit entry
NVM-2200-01-V-I	160	80	45	80	2 Nos.
NVM-2200-02-V-I	160	80	45	80	2 Nos.
NVM-2200-03-V-I	250	80	45	150	2 Nos.

Order Information

Order code: XXX XXXX XX X X

Model : NVM 2200 : :

Display : 01 : :

 02 :

 03 :

Versions : H :

 V :

Mounting : I (Inside wall surface)

 S (Surface-Projected)

Sample Code : NVM 2200 01 H I

Note :- Please specify input type along with order code, refer specs. overleaf.

Specifications mentioned in this datasheet are subject to change without prior notice due to continuous up-gradation of products.

NIVAM INSTRUMENTS PVT. LTD.

Adm. Off. : 3, BHAGIRATH, 3632, SANTNAGAR, ARANYESHWAR, PUNE 411 009 (INDIA)
 Factory : 22, Electronic Sadan2, M.I.D.C. Bhosari, Pune 411026
 Tel. : +91-020- 24225939, Factory: +91-020-2712 0803, 2712 1279
 Fax : +91-020- 24225939, Factory: +91-020-2712 2511
 E-mail : sales@nivam.com, nivam@pn2.vsnl.net.in
 Website : www.nivam.com

