

LOOP POWERED INDICATORS

NVM-2211-EX
NVM-2411-EX



SALIENT FEATURE

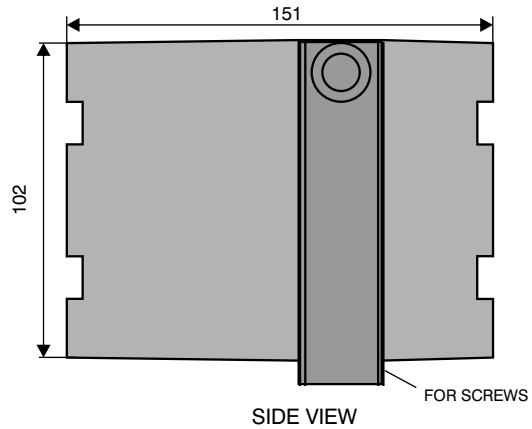
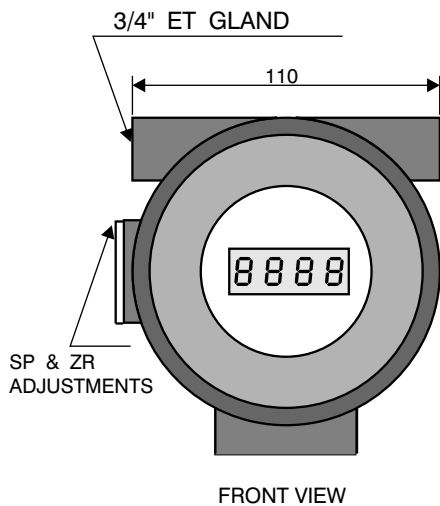
- 4-20 mA input
- Drop less than 1Volt - typically
- 3 ½ digit / 4 ½ digit LCD display
- Highly stable reference, easy calibration
- Span Zero externally adjustable
- DIP switch for range change
- Ex-proof & weather proof enclosure

The series NVM 2211-EX & NVM 2411-EX accepts 4-20 mA signal from a two wire transmitter, and indicate the process variable in percentage or in engineering units in the plant. These units are powered from 4-20 mA loop and does not require any external power supply. The voltage drop is less than 1 volt (Typically 2 volts in case of NVM 2411-EX). The instrument is housed in a Weather-proof / Flame-proof aluminium casted enclosure approved by CMRI -Dhanbad for Gr. IIA, IIB. Gr. IIC also available (optional)



TECHNICAL SPECIFICATIONS

Model	NVM-2211-EX	NVM-2411-EX
Input	4- 20 mA.	4- 20 mA.
Display	3 ½ digit 0.5" LCD	4 ½ digit 0.43" LCD. (10 mm)
Loop drop	1 V Typ, 1.2V max.	2 V Typ, 3 V max.
Accuracy	Better than ± 0.25% FSD ± 1 digit	Better than ± 0.25% FSD ± 1 digit
Range adjustment	200 to 1999 by DIP switches	2000 to 19999 by DIP switches
Zero elevation/suppression	+ 50 % or - 50 % of total counts calibrated for.	
Zero & Span	Externally adjustable	
Operating temp.	5- 50° C	
Temp. drift	± 0.02 % / °C max. of FSD	
Humidity	90% max. Non-condensing	
Gland entry	3/4" ET standard	
Terminal	Suitable for 2.5 mm ² wire	
CMRI Approval	Weather proof (IP65) / Ex-proof CMRI GR. IIA / IIB approved	



Outout dimensions as per DIN 43700 / IS 2419
All dimensions are in mm.

Ordering information

Order Code:	(XX....X)	(XX....X)
Model	NVM 2211 EX Loop Powered, 3½" Digit LCD 0.5"	
	NVM 2411 EX Loop Powered, 4½" Digit LCD 0.43"	
Range	Specify range and engg. unit for calibration.....	
Sample order code	NVM 2211 EX Loop Powered, 3½" Digit LCD 0.5" 0 to 100%	

Specifications mentioned in this datasheet are subject to change without prior notice due to continuous up-gradation of products.

NIVAM INSTRUMENTS PVT. LTD.

Adm. Off. : 3, BHAGIRATH, 3632, SANTNAGAR, ARANYESHWAR, PUNE 411 009 (INDIA)
 Factory : 22, Electronic Sadan2, M.I.D.C. Bhosari, Pune 411026
 Tel. : +91-020- 24225939, Factory: +91-020-2712 0803, 2712 1279
 Fax : +91-020- 24225939, Factory: +91-020-2712 2511
 E-mail : sales@nivam.com, nivam@pn2.vsnl.net.in
 Website : www.nivam.com

Doc. Id.: Ver 1/ DS-IND 003